



SERVICE

ACCESSORY KIT NO. AK-123

DATE: September 25, 1970
 TITLE: Stall Warning Controller (Accessory Kit)
 MODELS AFFECTED: AA1-0001 thru 0439
 WEIGHT AND BALANCE CHANGE:
 WEIGHT INCREASE: 4 ozs.
 ARM: 52.5

Parts List

<u>Quantity</u>	<u>Part Number</u>	<u>Description</u>
2	AN526-832-R20	Screw
2	AN960-8	Washer
2	AN936-A8	Lock Washer
2	A8-75	Rivnut
1	802034-501	Controller Assy.
1	13-340	Quik-Wrap

Description of Installation

1. Installation of Stall Warning Controller Assy. in conjunction with existing stall warning system.
2. Estimated time to accomplish this installation is 1 (one) man hour.

Installation Instructions (Figure 1 and 2)

1. Refer to figure 1 and measure aft from the firewall 0.80 inch and scribe a line. Measure down from the lower edge of the engine mount and scribe a line at 1.8 inches.
2. At the point where the two scribed lines intersect, drill a .221/.226 in. dia. hole through the honeycomb inner skin only. Install one (1) rivnut (A8-75) using a B.F. Goodrich C-6000-8-32 speed header hand operated installation tool.

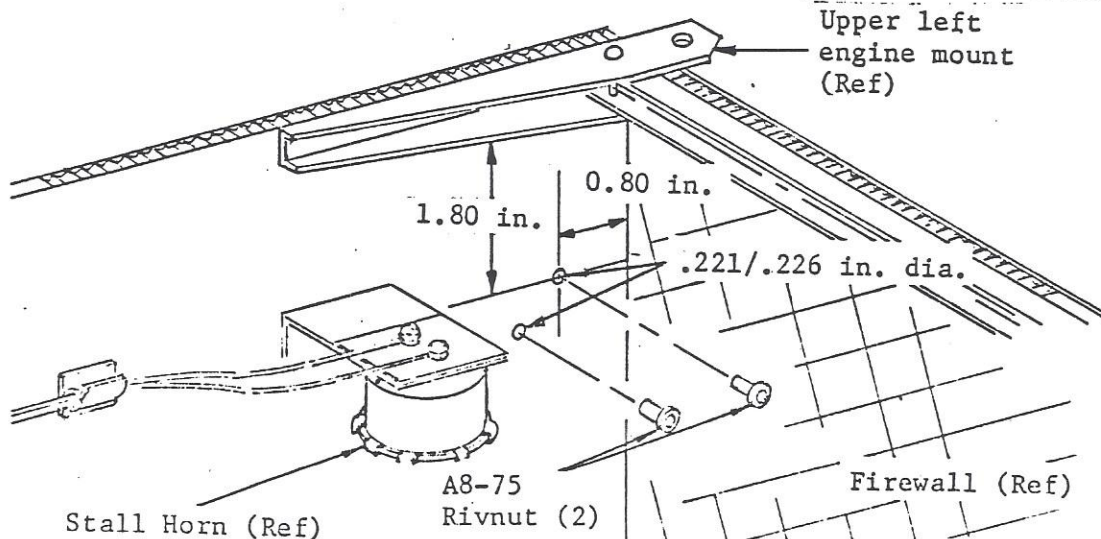


Figure 1. Stall Warning Controller Assembly Location

ACCESSORY KIT

3. Attach the controller (802034-501) to the fuselage side panel with one screw (AN526-832-R20) through the upper right mounting hole. With controller in the position shown on figure 2, mark the location of the lower left hole and remove controller. Drill the remaining hole .221/.226 in. dia. thru inner skin only and install rivnut (A8-75).
4. Refer to figure 2 and install the controller assy. (802034-501) on the honey-comb panel with two (2) screws (AN 526-832-R20), two (2) washers (AN960-8) and two (2) lockwashers (AN936-A8).

NOTE: Place the black wire terminal under the lockwasher (AN936-A8) with the washer (AN960-8) behind the terminal to insure good ground connection.

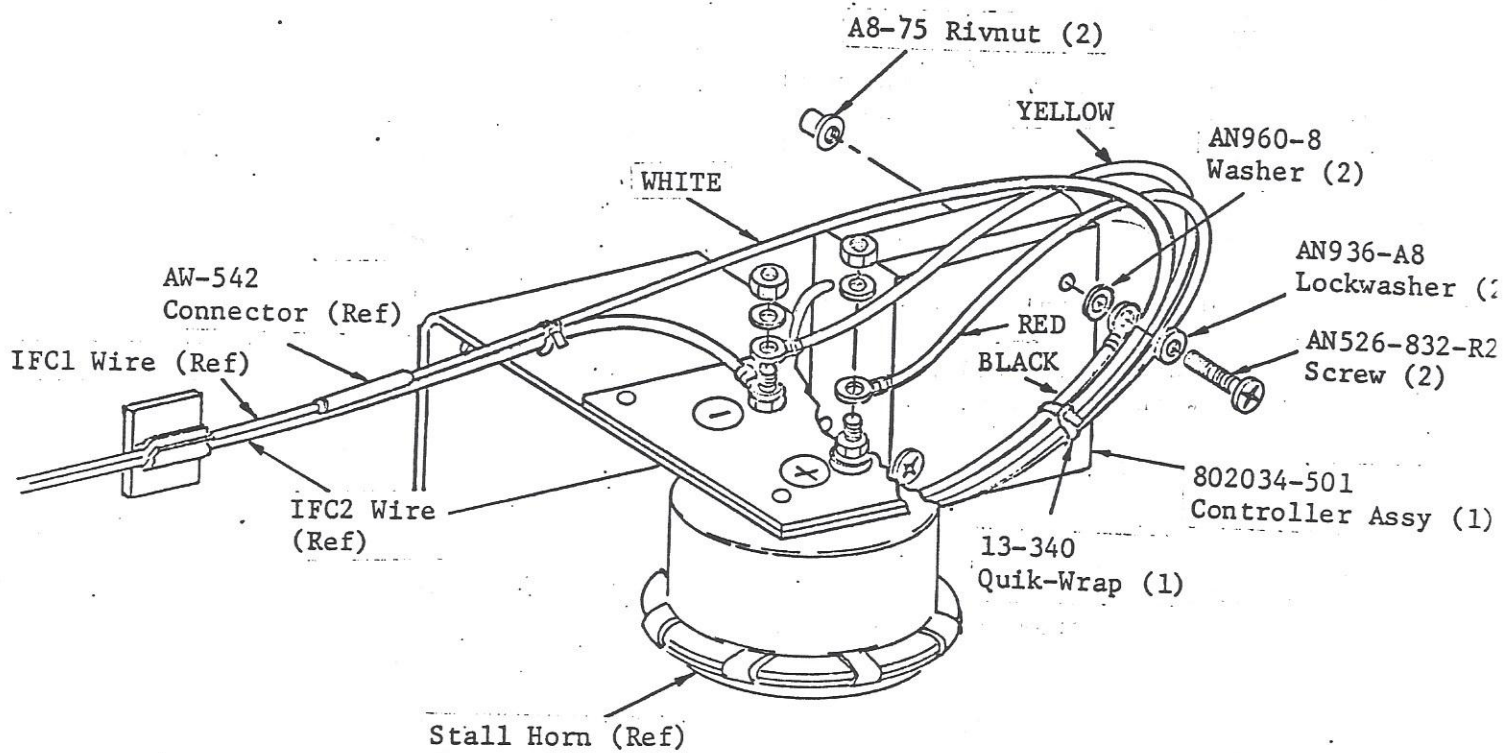


Figure 2. Stall Warning Controller Assembly Installation (Cont'd)

5. Remove the IFC1 existing wire from the stall horn and clip off the terminal. Bare wire approximately 1/4" and insert and crimp in the connector (AW-542) which is attached to the white wire from the controller.

6. Attach the red wire from the controller to the positive terminal on the stall horn. Attach the yellow wire from the controller to the negative terminal on the stall horn. The black wire from the controller is grounded on the controller mounting screw as covered in the note above.
7. Turn on master switch and operate the stall switch, located in the leading edge of the right wing, manually and hold until stall horn sounds. The stall horn should delay .9 seconds \pm .1 second after switch is actuated.
8. This completes the installation.

AMERICAN AVIATION CORPORATION