



SERVICE

K
I
T

SERVICE KIT NO. SK-117

DATE: August 7, 1972
~~TITLE:~~
~~SUBJECT:~~ Flap Position Indicator Modification
 SERIALS AFFECTED: AA5-0001 thru AA5-0140
 WEIGHT AND BALANCE CHANGE: Negligible

Parts List

<u>Quantity</u>	<u>Part Number</u>	<u>Description</u>
1	AN526-1032-R-14	Screw
1	AN960-10	Washer
1	AES201-6	Spacer
1	5604004-1	Spring
1	A3235-028-24A	Washer
1	AN960-10L	Washer
1	MS20364-1032	Nut
1	SA-4	Stud Button
1	AN960-3	Washer

Description of Modification

On production aircraft, AA5-0141 and up, the flap position indicator cable assembly has been redesigned to incorporate a return spring at the forward end of the indicator wire, inside the console. The addition of this spring provides a smoother, more positive flap position indicator movement. Aircraft below AA5-0141, which experience erratic flap position indicator operation, can be modified as follows:

Modification Instructions

1. Unsnap both forward floor carpets and remove them from the aircraft.
2. Remove both forward console sides.
3. Unscrew the bottom retainer housing on the cigar lighter and then unscrew the inner housing from the lead wire, turning the housing while holding the wire stationary.
4. Unscrew the flap switch knob, remaining screws (console) and remove the console top.
5. Drill out the two rivets holding the flap position indicator wire clip and one rivnut, all located just forward of the flap position indicator slot on the top of the console. Discard the clip and do not replace the rivnut or the two rivets as they will interfere with the new spring arm.

SERVICE KIT NO. SK-117

6. Drill a .193 diameter hole through the console support to mount the spring. Locate as shown in Figure 1.
7. Install the spring retaining hardware in the following sequence: AN526-1032R-14 screw, AN960-10 washer, AES 201-6 spacer, 5604004-1 spring, A3235-028-24A washer, AN960-10L washer and the MS20364-1032 nut.
8. With the flaps fully retracted(0° position) pull indicator wire forward as far as possible and bend a small loop(approximately 1/8" radius) in the end of the indicator wire 1/2" aft of the ash tray cut out. Connect the return spring to the indicator wire and check for positive clearance with the ash-tray.
9. Cycle the flaps, observing the alignment of the indicator wire in the slot. Bend the spring arm slightly to properly center the wire in the slot, if required.
10. Plug the original screw hole in the console top cover(where the rivnut was removed) with an SA-4 stud button and an AN960-3 washer.
11. Reassemble the console top cover to the console in the reverse of the removal procedure, being sure to make the cigar lighter mounting and lead connections tight.
12. Reinstall the flap switch knob with locktite.
13. Reinstall the console sides and the floor carpets.

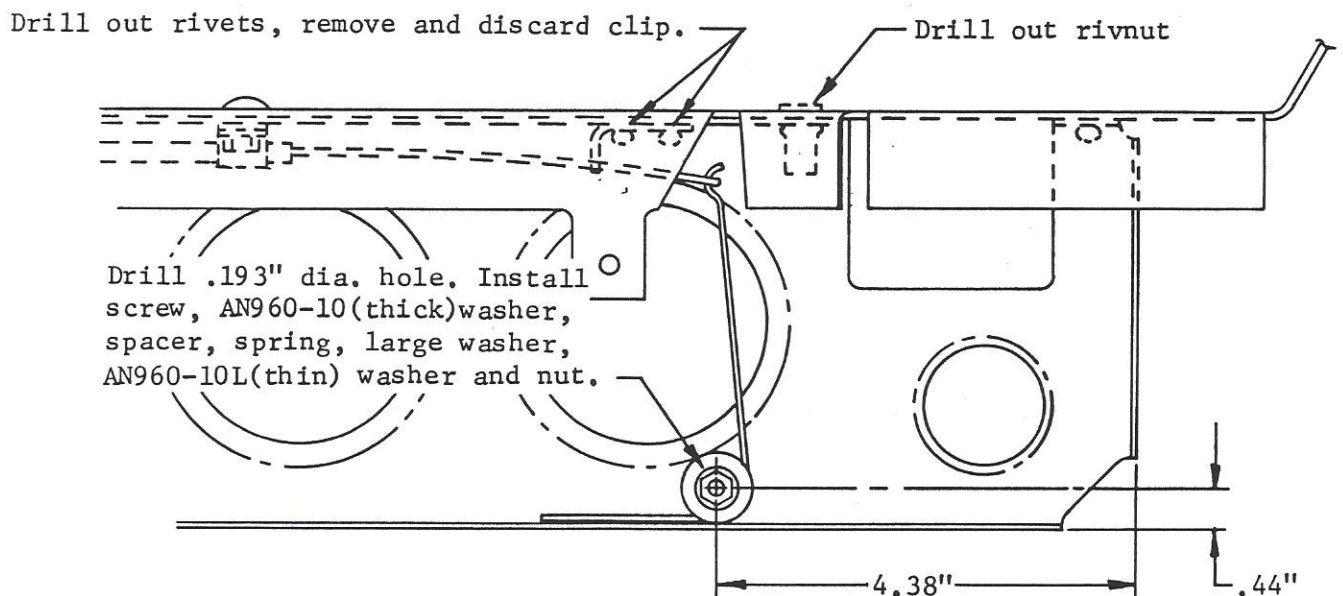


Figure 1. Flap Position Indicator Modification.