



**American General
Aircraft Corporation**

AMERICAN GENERAL SINGLE ENGINE AIRCRAFT SERVICE KIT NO. 154

SUBJECT:

Fuel pump and hose replacement.

PURPOSE/DISCUSSION:

The purpose of this service kit is to remove the original electric fuel pump assembly in the aircraft and replace it with the AGAES2100-1 pump supplied with this kit, as well as to re-route fuel flow.

DESCRIPTION:

This Service Kit contains the parts and instructions required to replace the existing fuel pump with a new pump, and re-route fuel flow path.

PARTS REQUIRED:

<u>PART NUMBER</u>	<u>NOMENCLATURE</u>	<u>QUANTITY</u>
AGAES2100-1	Electric Fuel Pump	1
MS20822-6-2	Elbow	2
AN4-15A	Bolt	2
5901019-1	Plug	1
MS51532-6 (or MS20193-2)	Cap	1
AGAES201-2	Spacer	2

SPECIAL TOOLS/EQUIPMENT REQUIRED:

Standard aircraft mechanic's tools.

EFFECTIVITY:

AG-5B/ Tiger 10000 thru 10130.

- (1) Install MS20822-6-2 elbow fittings on AGAES2100-1 fuel pump.
- (2) Position pump in place and install using AN4-15A bolts, AGAES201-2 spacers and original washers and nuts, placing spacers between the pump and firewall.
- (3) Reconnect fuel lines and torque to 100 ± 25 inch pounds.
- (4) Install AGAES1325-0-0150F hose assembly routing from primer valve tee to mechanical fuel pump. The 90° fitting end should connect to mechanical fuel pump.
- (5) Reconnect electrical pigtail connector.

- C. Record compliance in the aircraft logbook.
- D. Please fill in the attached compliance card and return it to:

American General Aircraft Corp.
P.O. Box 5757
Greenville, MS 38703

PARTS AND LABOR CREDIT

Service Kit No. 154 is available from AGAC upon request at no cost. A labor credit of 2 hours will be allowed for installation

No labor credit will be allowed for Service Bulletin inspections.

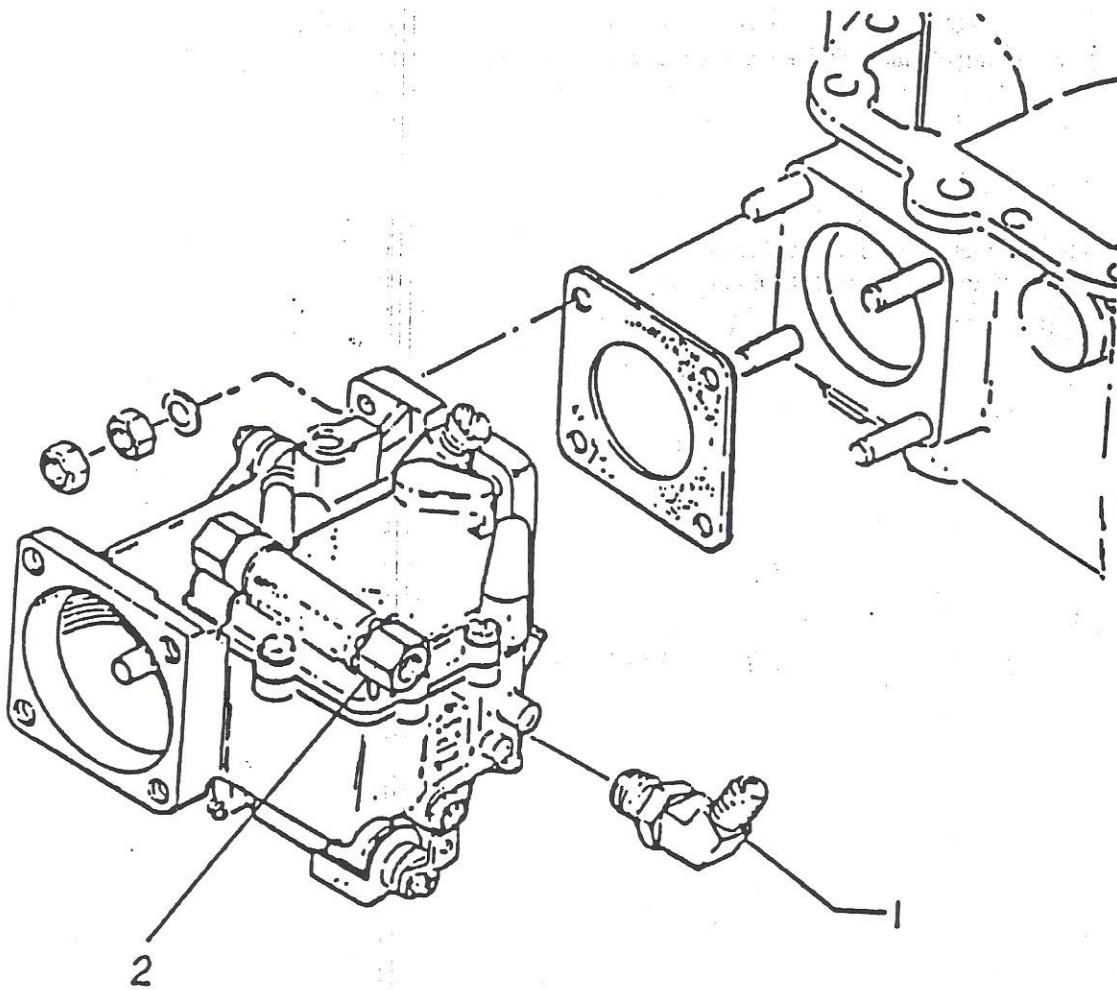


FIGURE 1